

Greenstreak™



RETROFIT WATERSTOP INSTALLATION

INTRODUCTION

Sika offers several solutions for retrofit applications. Joints with movement potential can be addressed by using a Sika Greenstreak PVC Retrofit system. SIKa HYDROTITE, a strip applied hydrophilic waterstop, should be considered for applications where limited joint movement is expected. SIKa HYDROTITE can also be considered for moving joint applications on a limited basis. Please consult a Sika Greenstreak engineer for details.

SIKA GREENSTREAK PVC RETROFIT SYSTEMS

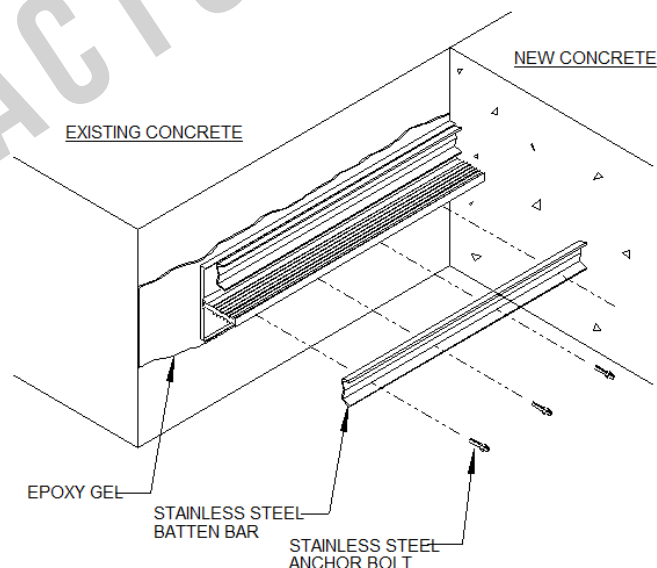
PVC Retrofit Waterstop systems are designed for applications requiring a seal between an existing structure and new concrete construction. These systems can be used as an alternative to saw cutting and epoxy grouting in a conventional waterstop or the use of mastic type waterstops. The centerbulb design of the waterstop in conjunction with the elasticity of the PVC material allows for movement in the newly created joint.

Retrofit systems consist of a specially designed "T-shaped" or "L-shaped" PVC waterstop profile, pre-drilled stainless steel batten bars, and stainless steel anchor bolts. Standard length for a PVC retrofit profile and batten bars is 10 feet, with batten bars having pre-drilled holes on 6-inch centers (for accepting anchor bolts). Profiles are available in 3-inch, 6-inch, and 9-inch base widths, suitable for concrete sections 6 inches thick and above. Batten bars and anchor bolts are sized according to the PVC profile selected.

INSTALLATION:

The existing concrete surface should be cleaned by sand blasting or grinding the surface to assure a solid, clean surface to bond the retrofit waterstop. Apply a bed of SIKa GREENSTREAK EPOXY 7300 to the existing concrete surface, approximately 1/8 inch thick and slightly wider than the waterstop anchoring flange. Place the retrofit waterstop into the uncured epoxy, securing the waterstop with the stainless steel batten bars and anchor bolts. Fasten one side at a time, making sure the retrofit profile is positioned to eliminate any air pockets or voids between the waterstop and existing concrete.

Butt splicing should be accomplished by thermally splicing the free ends of the waterstops together prior to attachment to the existing concrete. Thermostatically controlled, Teflon coated welding irons are available for this purpose. Factory



PVC AND SIKA HYDROTITE WATERSTOP - INSTALLATION

Greenstreak



BUILDING TRUST

fabrications should be used for transitions and changes of direction.

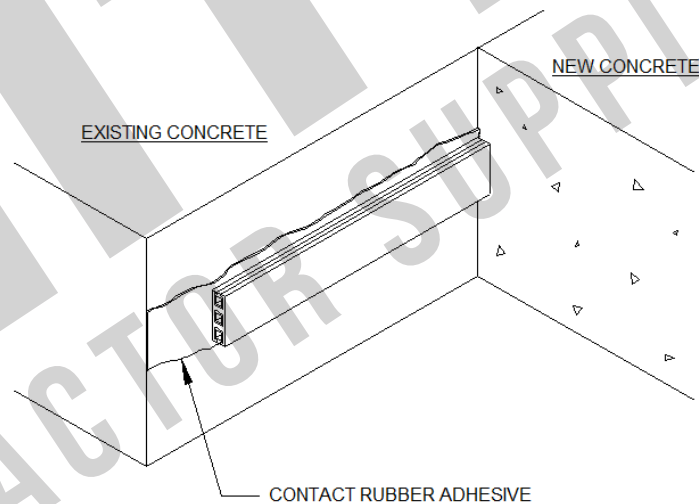
SIKA HYDROTITE:

SIKA HYDROTITE is a state-of-the-art hydrophilic waterstop with unmatched durability and water sealing capacity. Comprised of non-bentonite, modified chloroprene rubber, SIKA HYDROTITE expands multiple times its original volume when exposed to water. This expansion creates an effective compression seal within joints of limited movement. SIKA HYDROTITE CJ-0725-3K and CJ-1020-2K profiles are ideal in retrofit applications involving slab-to-slab, wall-to-slab or wall-to-wall joint conditions. These profiles as well as the DSS-0420 should be considered for pipe penetration applications.

INSTALLATION:

SIKA HYDROTITE should be installed on smooth even surfaces to ensure a good bond to existing concrete. Position SIKA HYDROTITE to ensure a minimum of two inches of concrete cover. Apply SIKA HYDROTITE ADHESIVE to both the concrete surface and the SIKA HYDROTITE profile. Once the adhesive becomes tacky to the touch, align SIKA HYDROTITE and press firmly into position. Careful positioning is a must, as repositioning after contact will be difficult. Concrete nails, in conjunction with an adhesive, may be used for vertical or overhead applications.

SIKA HYDROTITE profiles should be spliced by cutting the ends square (or mitered for corners) with a sharp knife or shears. Bond the prepared ends together with a cyanoacrylate (super glue) adhesive. LEAKMASTER, a hydrophilic caulk, can be used to further protect the splice area.



PIPE PENETRATIONS:

SIKA HYDROTITE is ideal for pipe penetrations, both on new construction as well as retrofit applications. Retrofit applications, where oversize cutouts are made, require the installation of two strips of SIKA HYDROTITE. Install one strip around the outside diameter of the cutout, securing with adhesive and concrete fasteners as needed. Apply a second strip directly around the pipe. Slightly stretch the profile and bond the free ends together with cyanoacrylate adhesive. Fill the annulus with a Sika non-shrink epoxy grout. For new construction where concrete will be cast directly around the pipe, apply a single strip of SIKA HYDROTITE around the pipe in a similar manner. SIKA HYDROTITE CJ profiles can be used on larger diameter pipes (>18") while DSS-0420 will conform better to smaller diameter pipes.

Sika Corporation - US
201 Polito Avenue
Lyndhurst, NJ 07071
United States
Usa.Sika.com

For More Information Contact
Sika - St. Louis Sales Office
3400 Tree Court Industrial Blvd.
63122, St. Louis, MO
United States
www.USA.Sika.com
Phone: 1-800-325-9504
Fax: 800-551-5145